

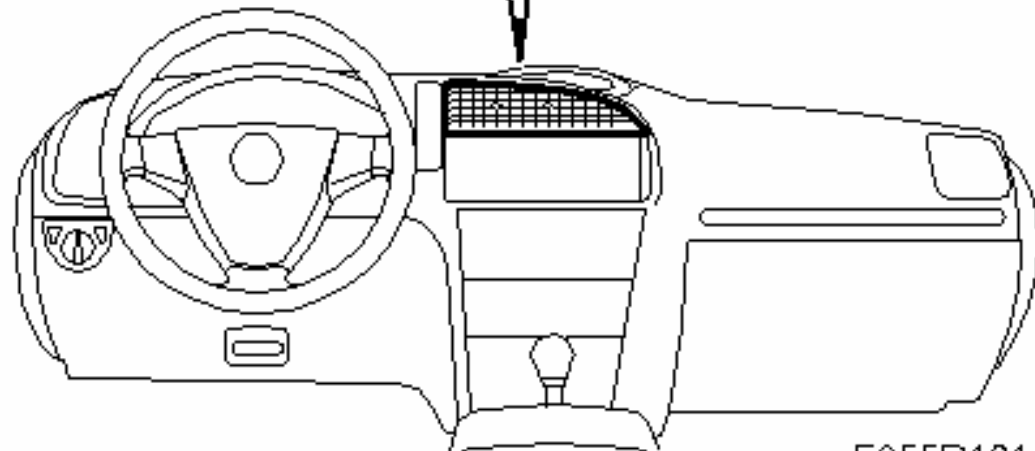
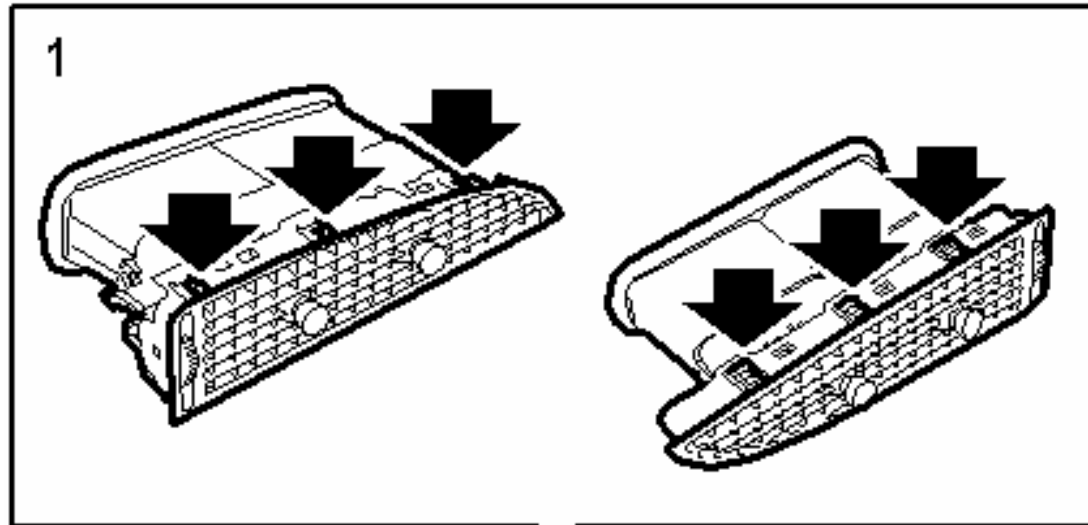
Removing the Centre Vent

1. Remove the centre panel vent by carefully bending in the 2 upper lugs on the upper section, which are accessible through the grille whilst pulling straight out on the guide pin and freeing the lower lugs.

Note

It is important to bend the correct lugs. The lugs which retain the air vent can be seen through the grille.

2. Lift out the centre air vent.



F855R101