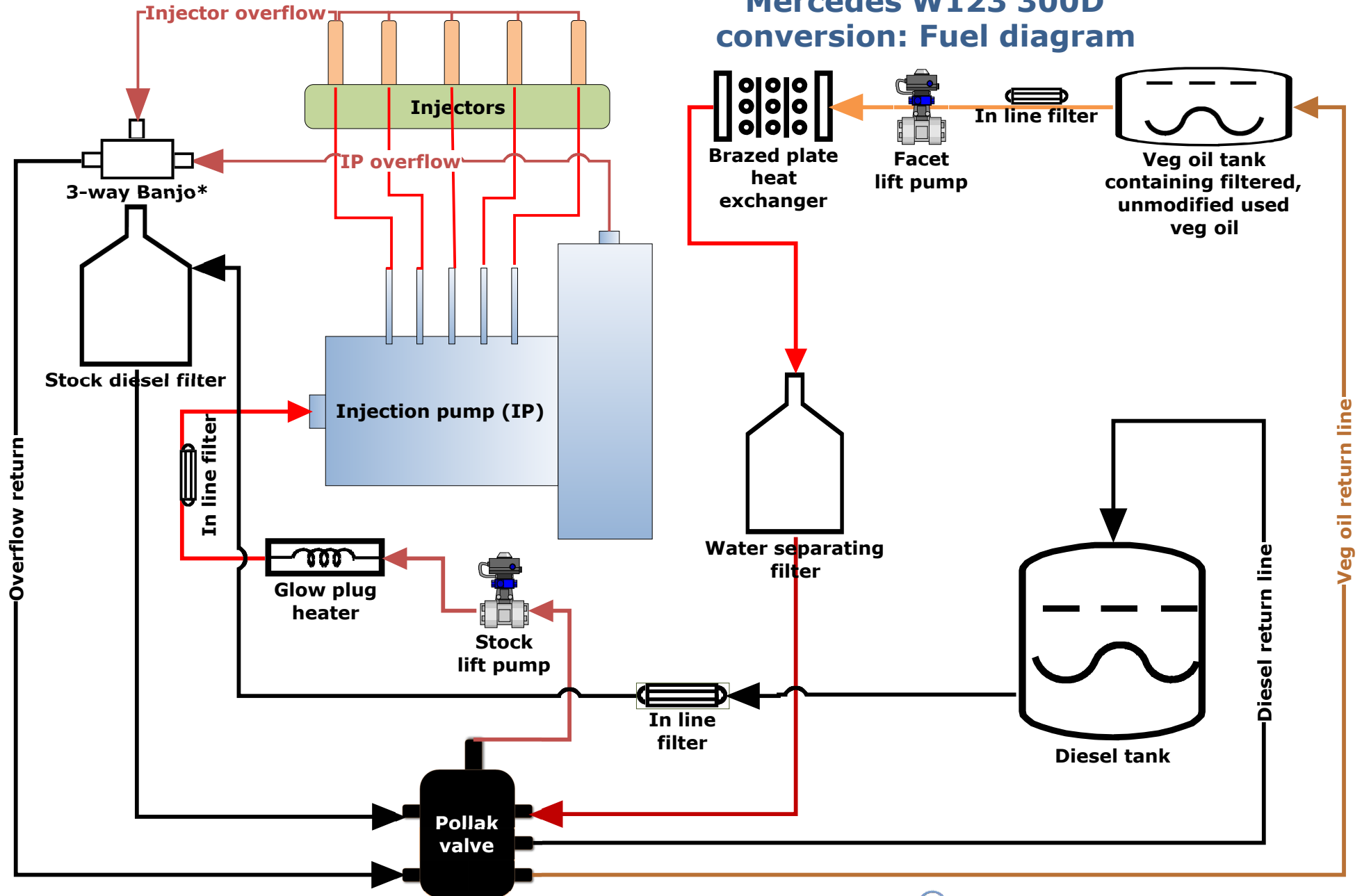


Mercedes W123 300D conversion: Fuel diagram



*Note: Fuel flow through banjo to stock diesel filter must be blocked!