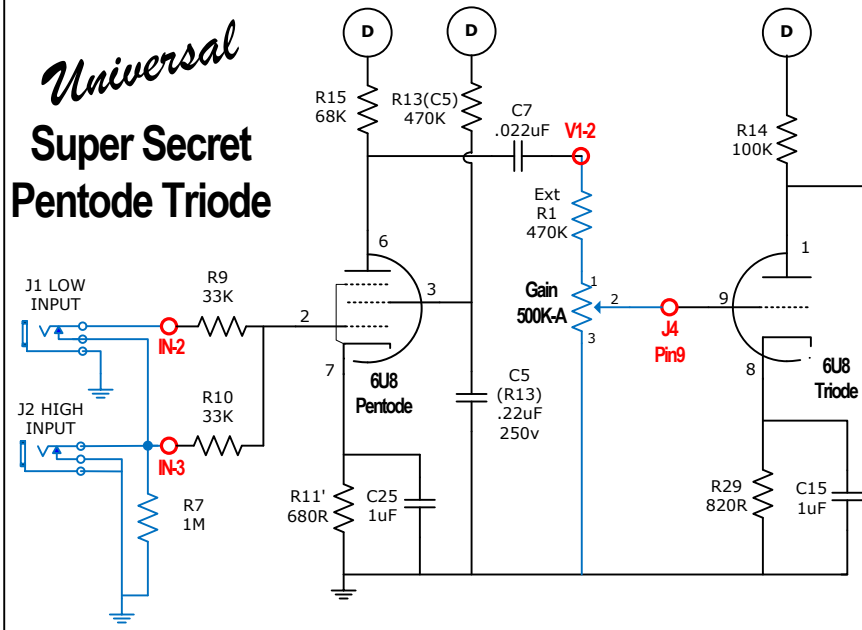


Universal Super Secret Pentode Triode

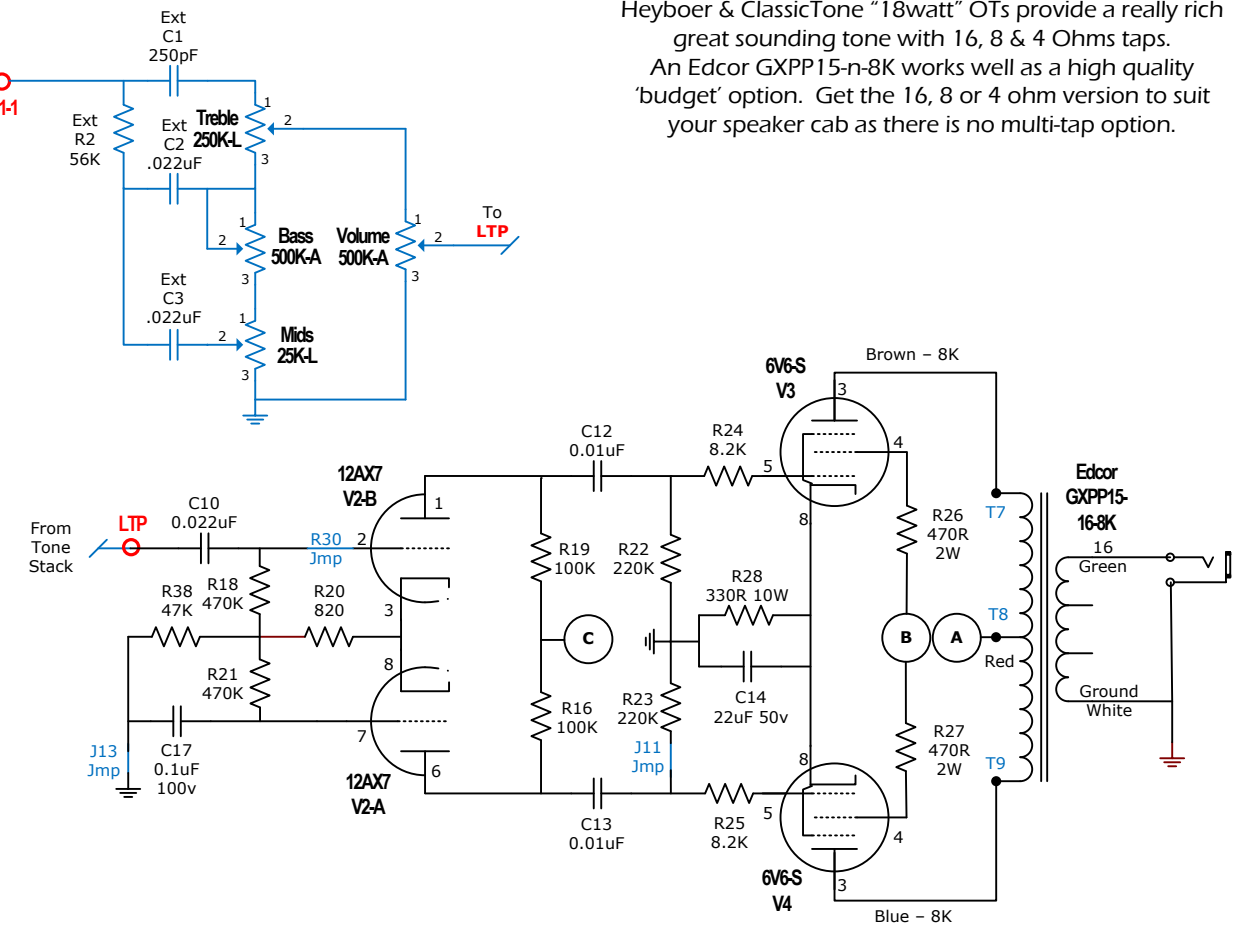


Preamp Tweak

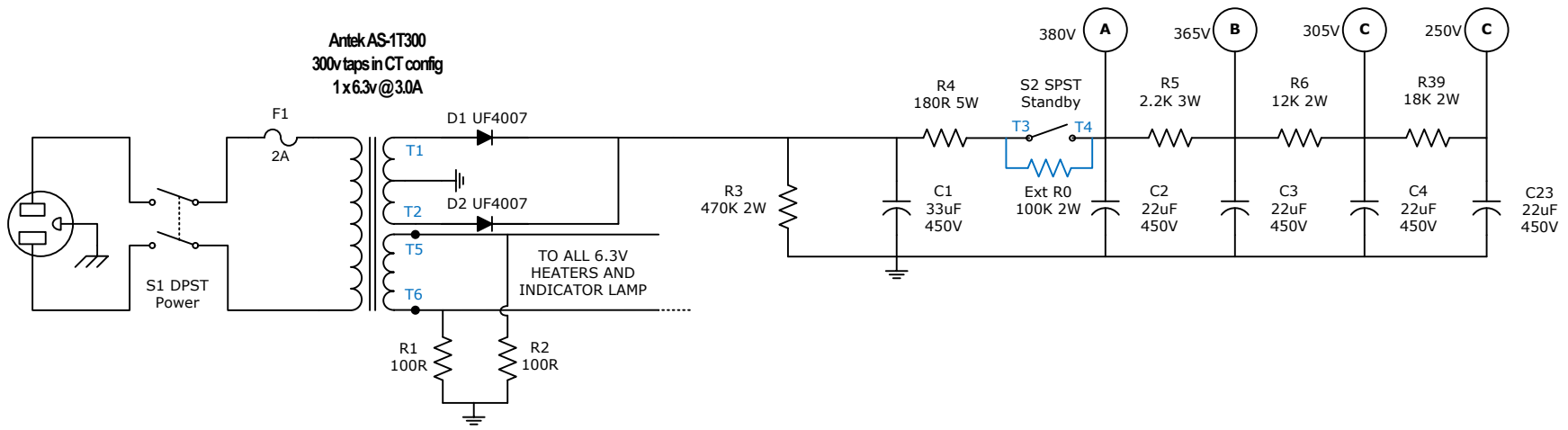
6U8 Pentode values experimental at this stage

Output Transformer

Heyboer & ClassicTone "18watt" OTs provide a really rich great sounding tone with 16, 8 & 4 Ohms taps. An Eddor GXPP15-n-8K works well as a high quality 'budget' option. Get the 16, 8 or 4 ohm version to suit your speaker cab as there is no multi-tap option.



Antek AS-1T300
300v taps in CT config
1x6.3v@3.0A



PPWatt.com

Universal PCB

Variation	SuperSecret
PCB Versions	V1.2
Date	17/12/2013
Author	Jamesrr