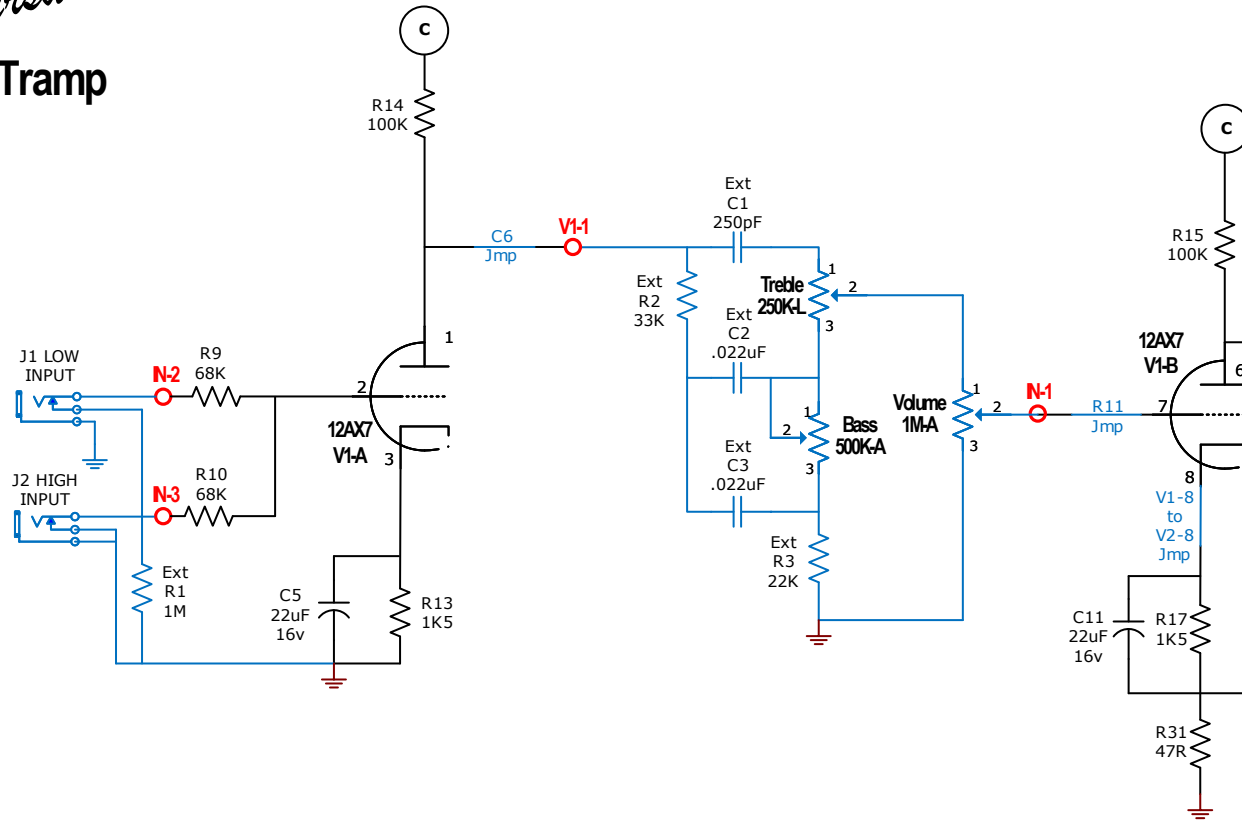
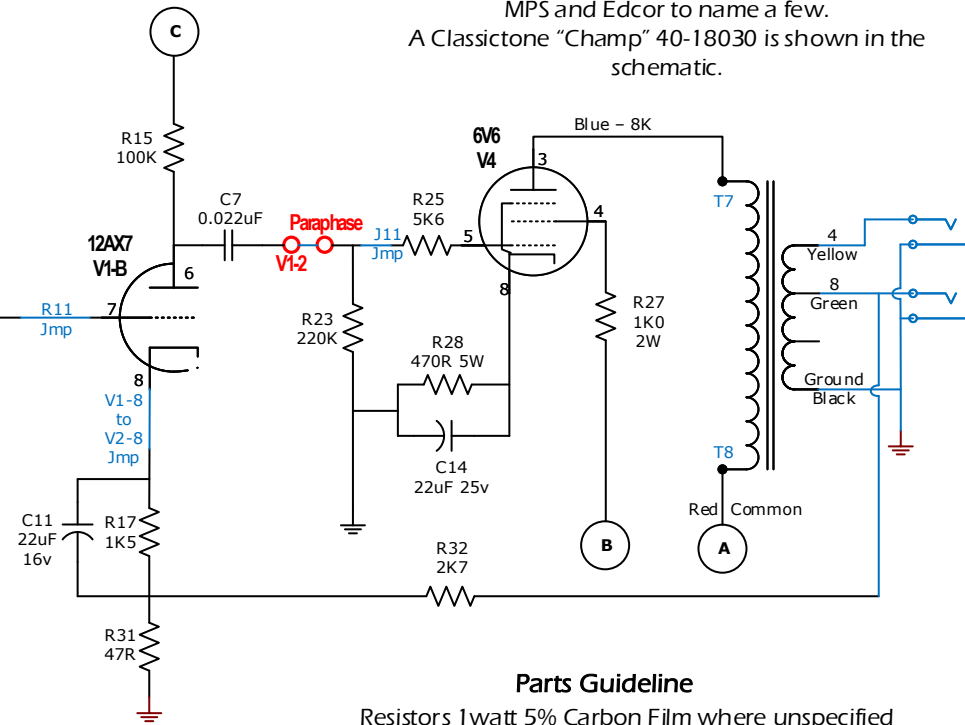


Universal Cheap Tramp



Output Transformer

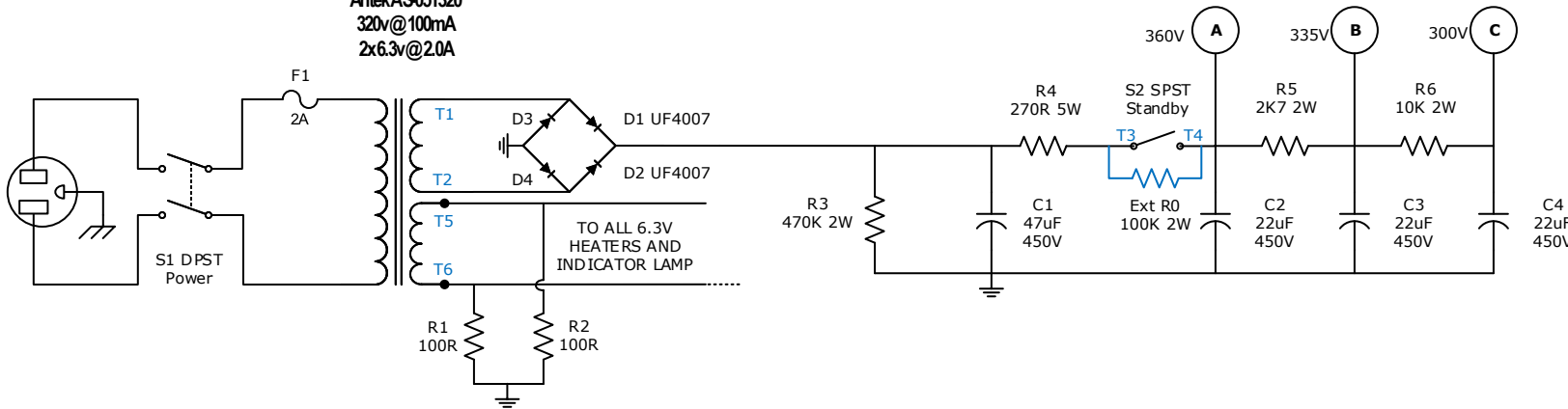
Vintage "Champ" style OTs of around 8K primary impedance provide a great authentic tone. There are numerous models from ClassicTone, Heyboer, MPS and Edcor to name a few. A ClassicTone "Champ" 40-18030 is shown in the schematic.



Parts Guideline

Resistors 1watt 5% Carbon Film where unspecified
 Power resistors metal oxide or wire wound
 Electrolytic Capacitor voltage as specified
 Other Capacitors 630v Polyester Film except Ext C1 - Silver Mica

AntekAS05T320
 320v@100mA
 2x6.3v@2.0A

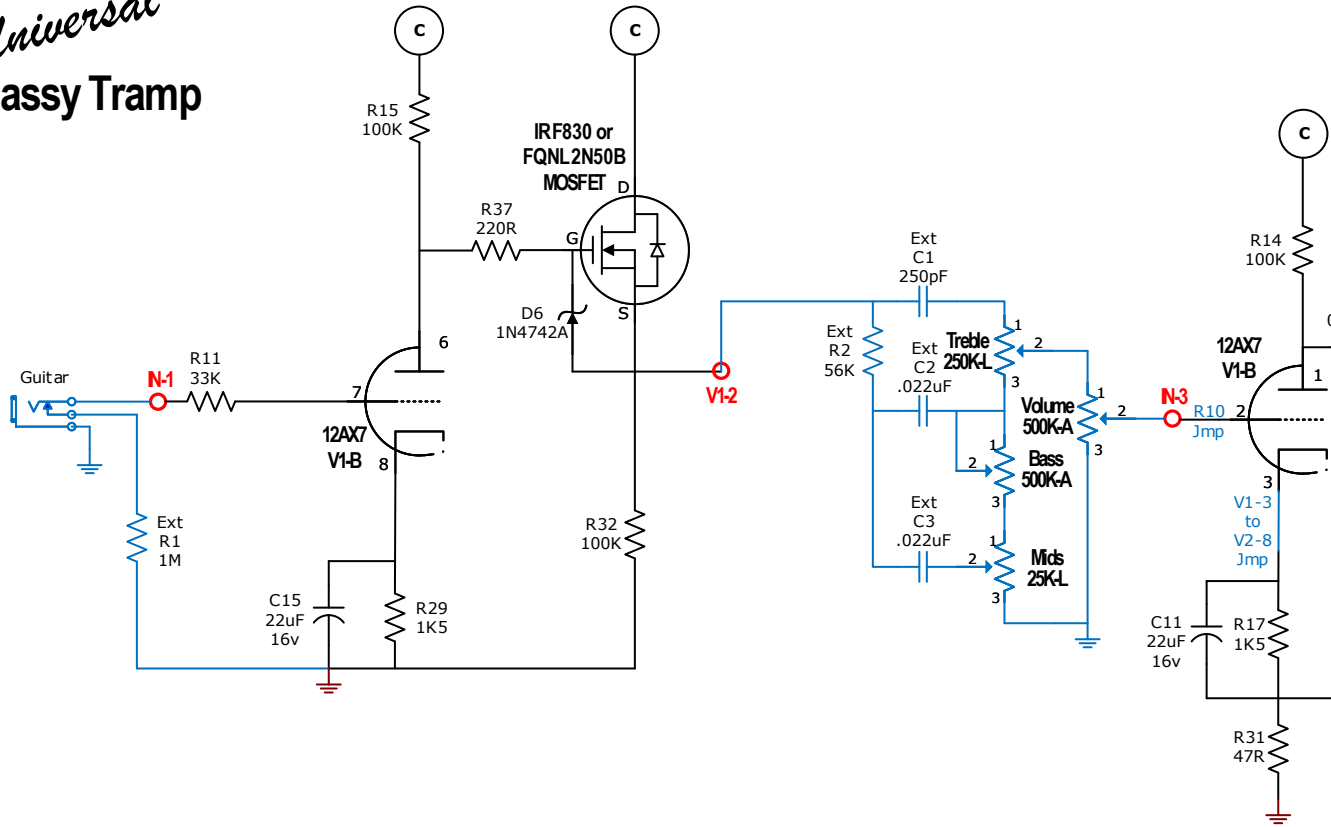


Wattkins.com

Universal PCB

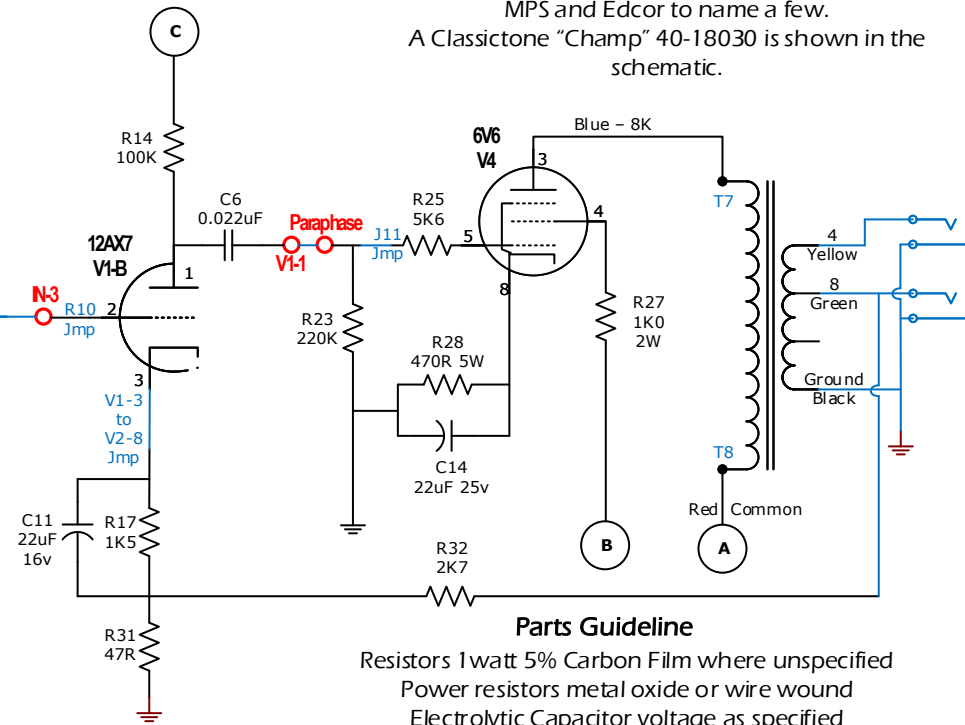
Variation	SE Champ
PCB Versions	V1.2
Date	17/06/2017
Author	Jamesrr

Universal Classy Tramp



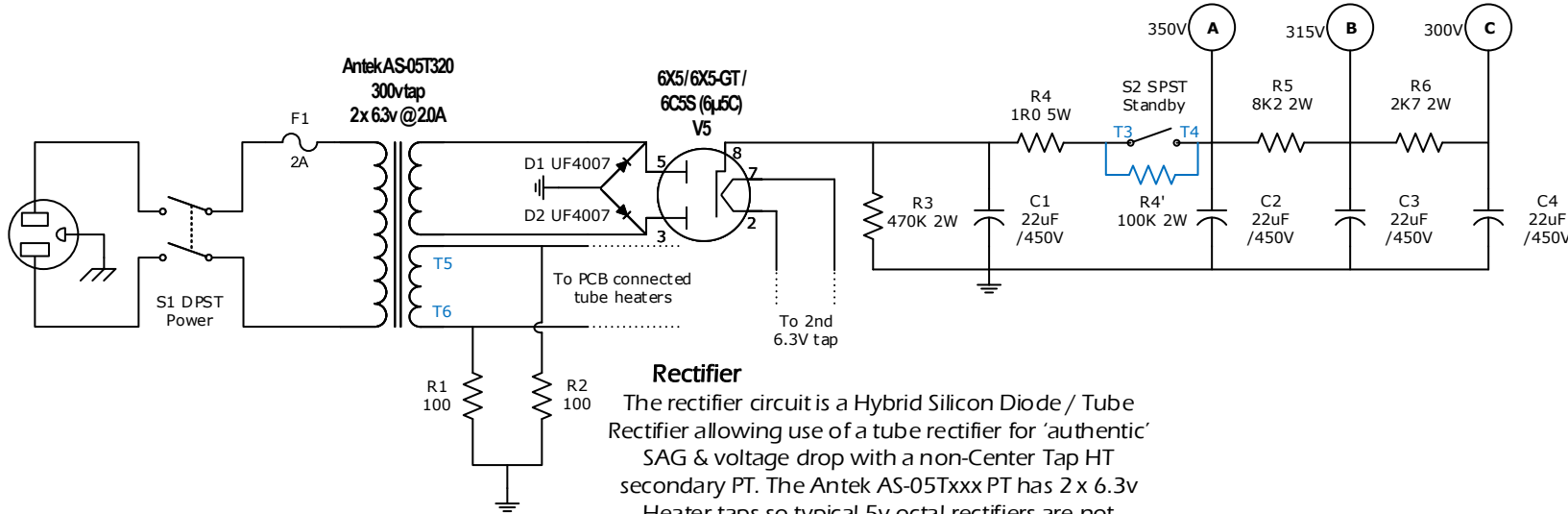
Output Transformer

Vintage "Champ" style OTs of around 8K primary impedance provide a great authentic tone. There are numerous models from ClassicTone, Heyboer, MPS and Edcor to name a few. A ClassicTone "Champ" 40-18030 is shown in the schematic.



Parts Guideline

Resistors 1watt 5% Carbon Film where unspecified
 Power resistors metal oxide or wire wound
 Electrolytic Capacitor voltage as specified
 Other Capacitors 630v Polyester Film except Ext C1 - Silver Mica



Rectifier

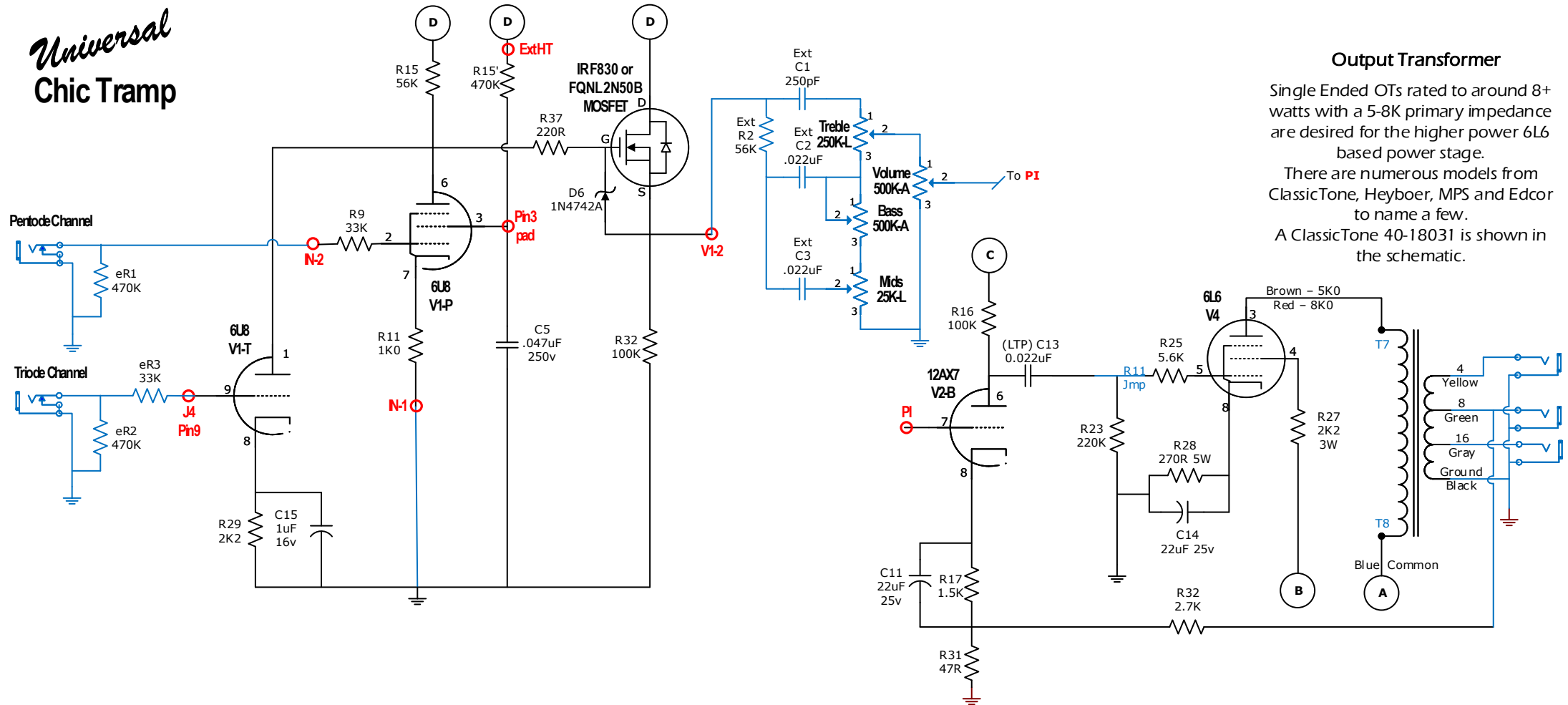
The rectifier circuit is a Hybrid Silicon Diode / Tube Rectifier allowing use of a tube rectifier for 'authentic' SAG & voltage drop with a non-Center Tap HT secondary PT. The Antek AS-05Txxx PT has 2 x 6.3v Heater taps so typical 5v octal rectifiers are not supported. The 6X5 / 6μ5C uses a 6.3v heater as would a noval EZ81.

Wattkins.com

Universal PCB

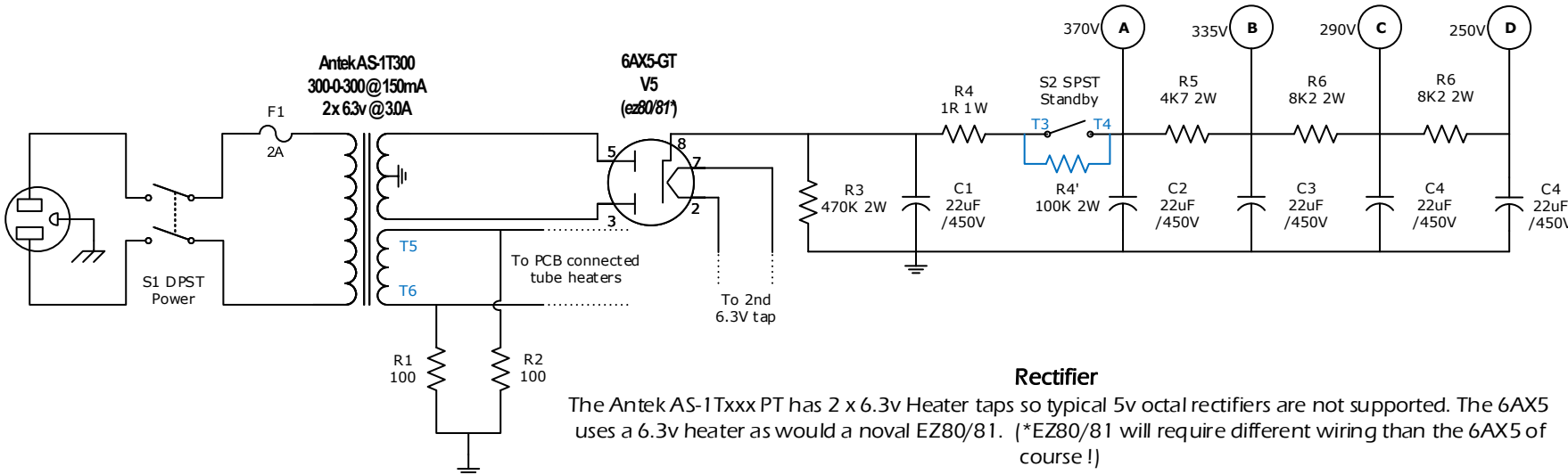
Variation	SE Champ
PCB Versions	V1.2
Date	17/06/2017
Author	Jamesrr

Universal Chic Tramp



Output Transformer

Single Ended OTs rated to around 8+ watts with a 5-8K primary impedance are desired for the higher power 6L6 based power stage. There are numerous models from ClassicTone, Heyboer, MPS and Edcor to name a few. A ClassicTone 40-18031 is shown in the schematic.



Rectifier

The Antek AS-1Txxx PT has 2 x 6.3v Heater taps so typical 5v octal rectifiers are not supported. The 6AX5 uses a 6.3v heater as would a novel EZ80/81. (*EZ80/81 will require different wiring than the 6AX5 of course !)

Wattkins.com

Universal PCB

Variation	SE Champ
PCB Versions	V1.2
Date	17/06/2017
Author	Jamesrr