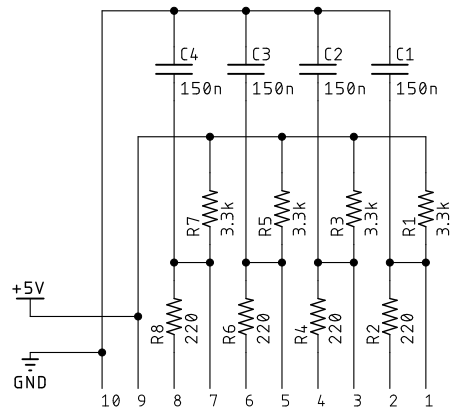


KONAMI 005273 RESISTOR ARRAY



NOTES:

100n (i.e 104) caps will work fine

Original SMD cap size is 0805 but 1206 also fits

To test the caps measure resistance between pins....

10-7
10-5
10-3
10-1

If the resistance is 0 ohms then the cap is shorted and must be replaced.

To test the 220 ohm resistors measure between pins....

1-2
3-4
5-6
7-8

To test the 3.3k ohm resistors measure between pins....

9-7
9-5
9-3
9-1

KONAMI 005273

Reverse-
Engineered
By:

GURU

<https://gurudumps.blogspot.com/>

Date: 26/04/2022 10:23 AM

Sheet: 1/1

REV: A