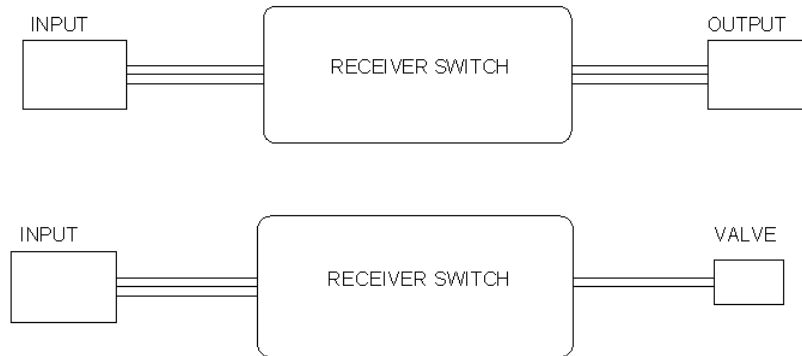


## Receiver Switch

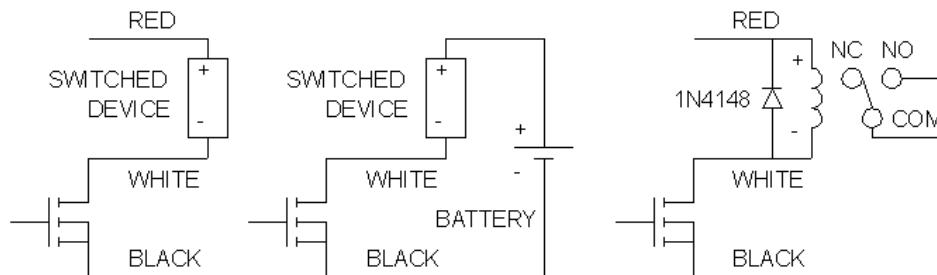
The Receiver Switch plugs into a receiver channel and provides a simple on/off electrical switching action ideal for controlling landing and navigation lights. The unit also allows the control of an electrically operated air valve.



## Instructions

The valve version of the Receiver Switch is supplied ready for use. Plug the small plug into the valve and connect air hoses as necessary.

The servo lead output version of the Receiver Switch allows three switching options, as shown below. The first option is for a low current device, and power is drawn from the Receiver battery. The second option is to use an auxiliary battery. The third option to increase switching capacity shows how to connect a relay. An extra diode is necessary to protect the transistor from damage. The power to the switched devices in all options is disconnected when the Receiver is switched off, thereby making an auxiliary switch unnecessary.



## Specifications

Voltage Rating: 4 or 5 Cells

Current Consumption: 1 mA

Output Switching Capability: 500mA, 60 Volts

Change Over Pulse Width: 1.5 milliseconds

Size: 55 x 20 x 6 mm

Weight: 15 grams