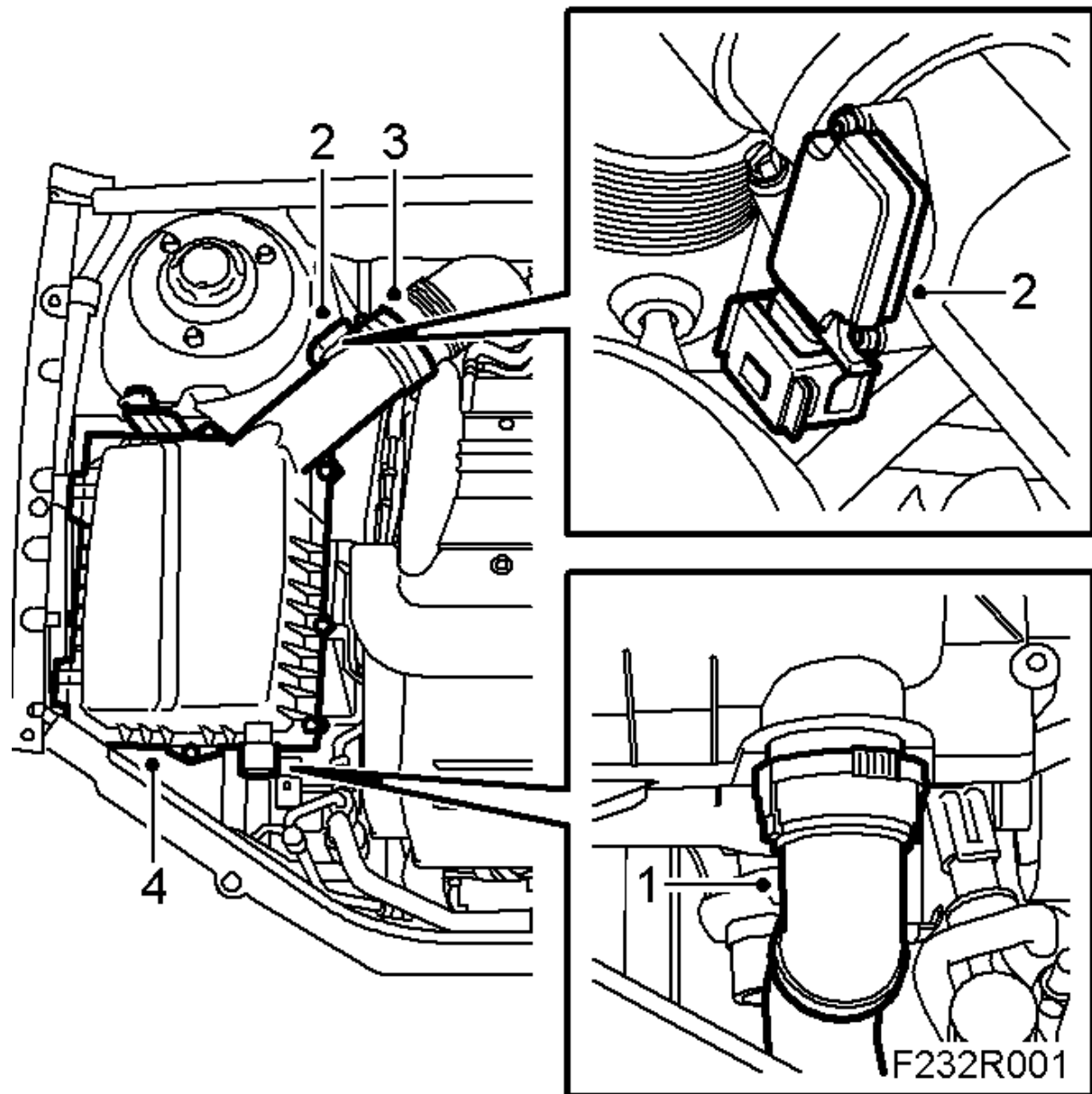
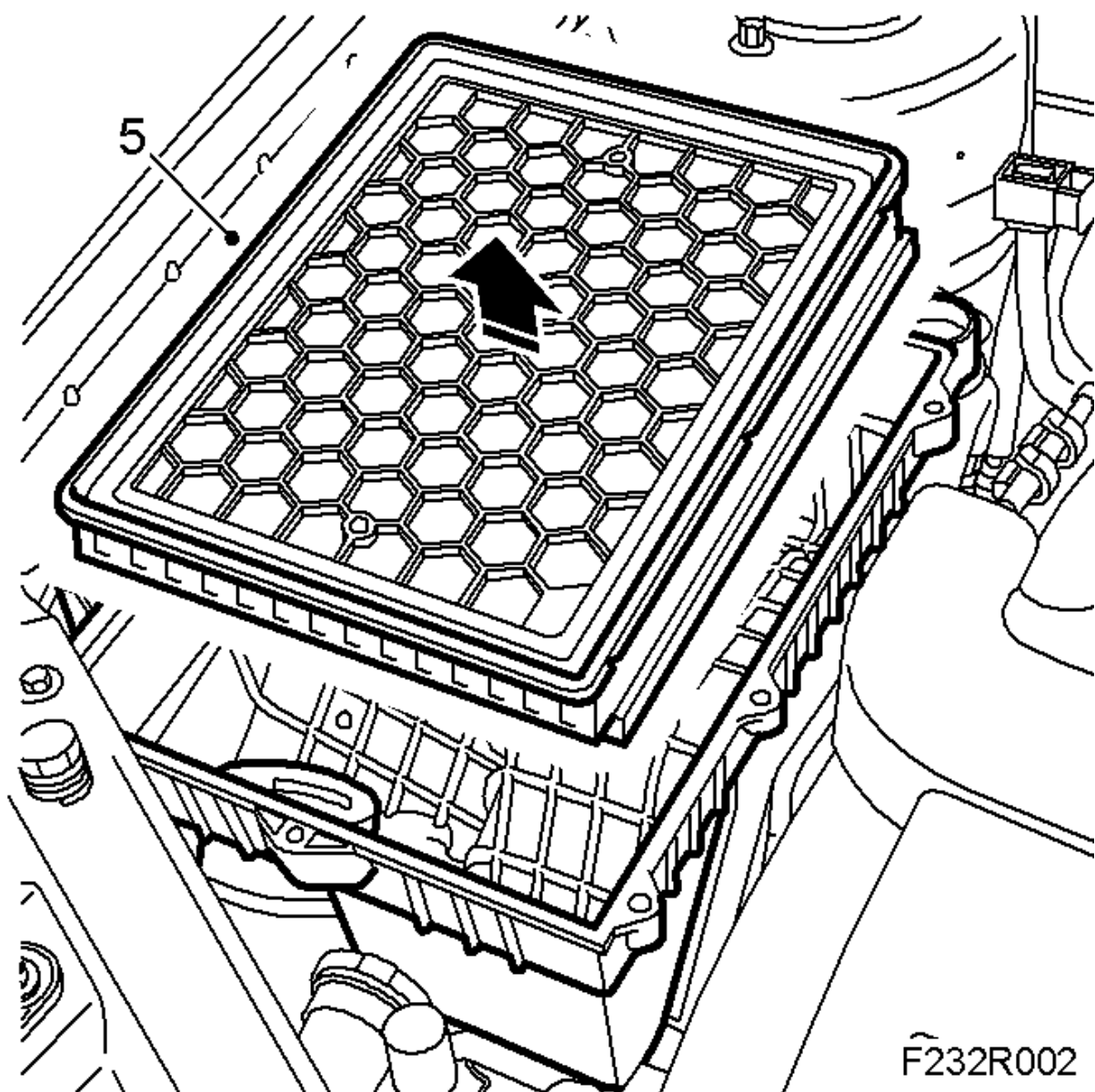


## To Fit Air Filter

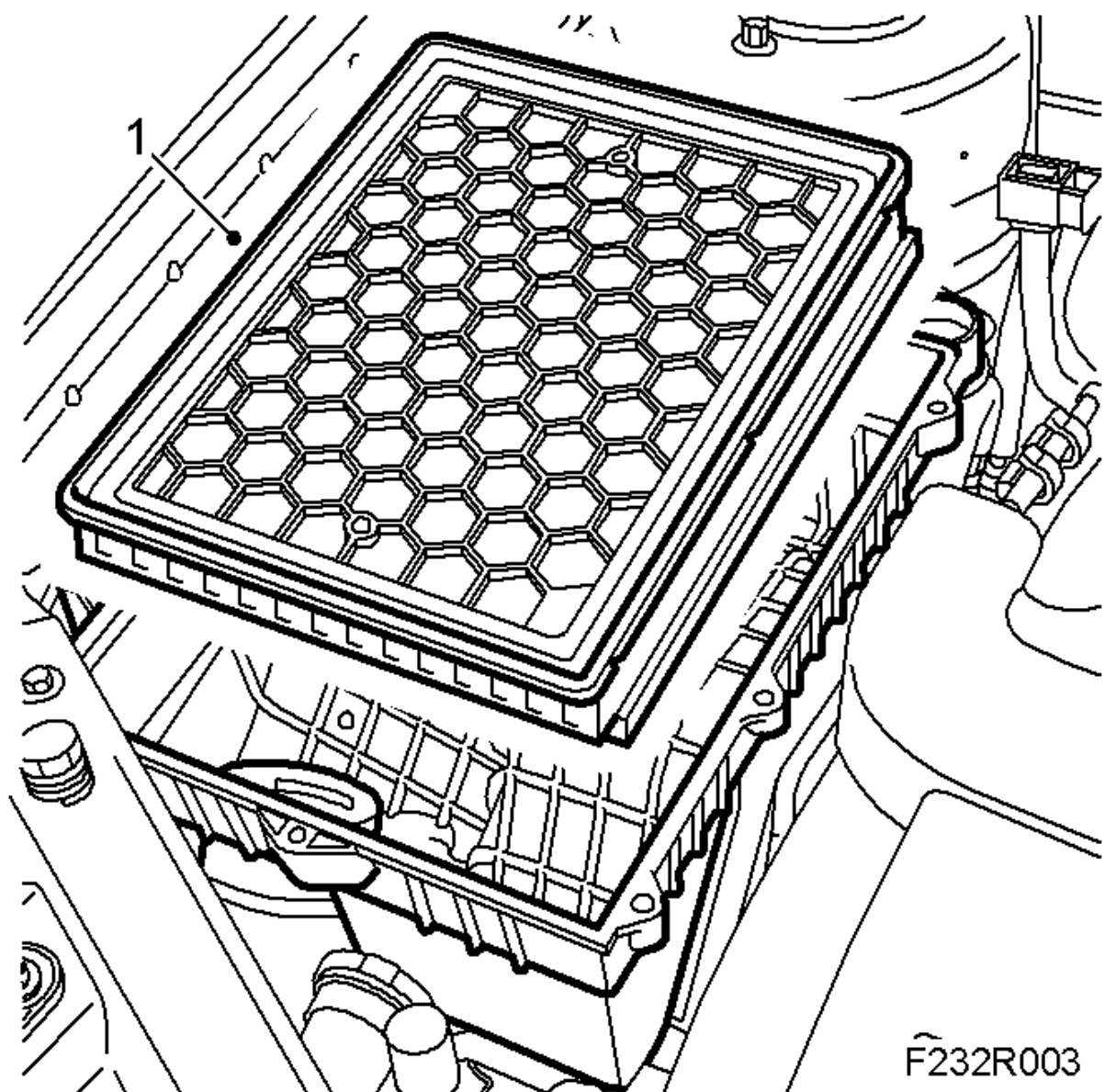


1. On models with SAI, detach the SAI pump inlet hose from the air cleaner casing.
2. Unplug the connector from the mass air flow sensor.
3. Detach the hose from the air cleaner cover.
4. Remove the air cleaner cover.



F232R002

5. Remove the filter element.
6. Cover the inlet hose to the turbo and blow clean the air cleaner casing.



F232R003

1. Fit a new filter element.
2. Fit the air cleaner cover.
3. Connect the hose to the air cleaner cover.
4. Plug in the mass air flow sensor connector.
5. On models with SAI, connect the SAI pump inlet hose to the air cleaner casing.