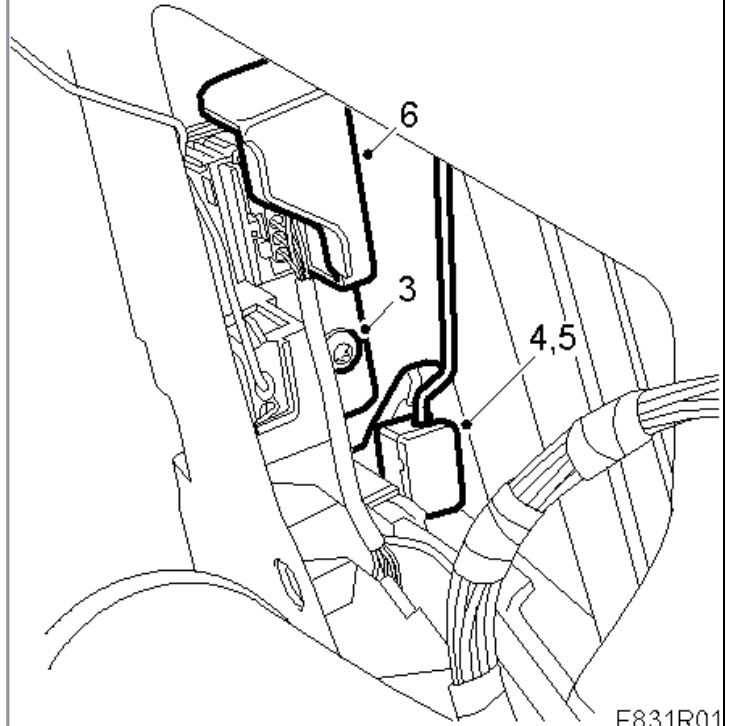


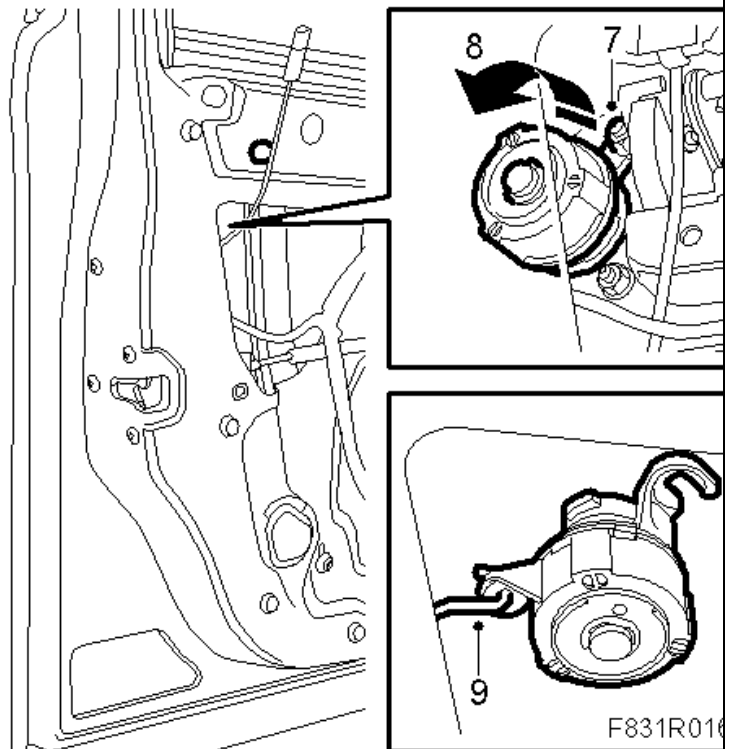
Removing Door Handles - Saab 9-3SS

Removing


1. The window should be closed.
2. Remove the door trim and fold down the moisture barrier.
3. Remove the guard's screws.
4. Remove the lock cover on the handle rod.
5. Loosen the handle's rod from the clip.
6. Remove the guard by pulling the guard forwards and downwards.

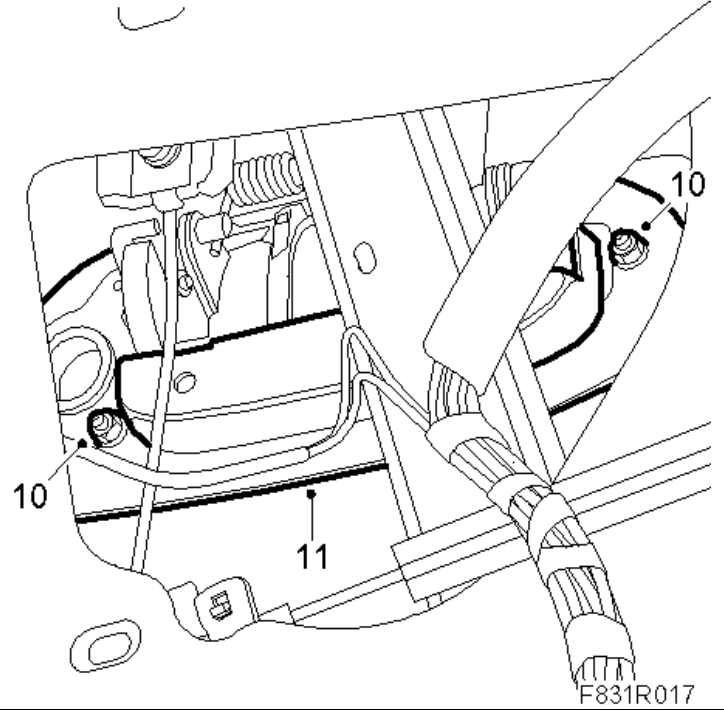


7. Remove the rear nut on the handle.
8. Turn the lock cylinder anticlockwise and pull out the cylinder from the handle.
9. Unhook the lock cylinder from the lock rod.



10. Remove the handle's nuts.


 11. Remove the reinforcement plate.

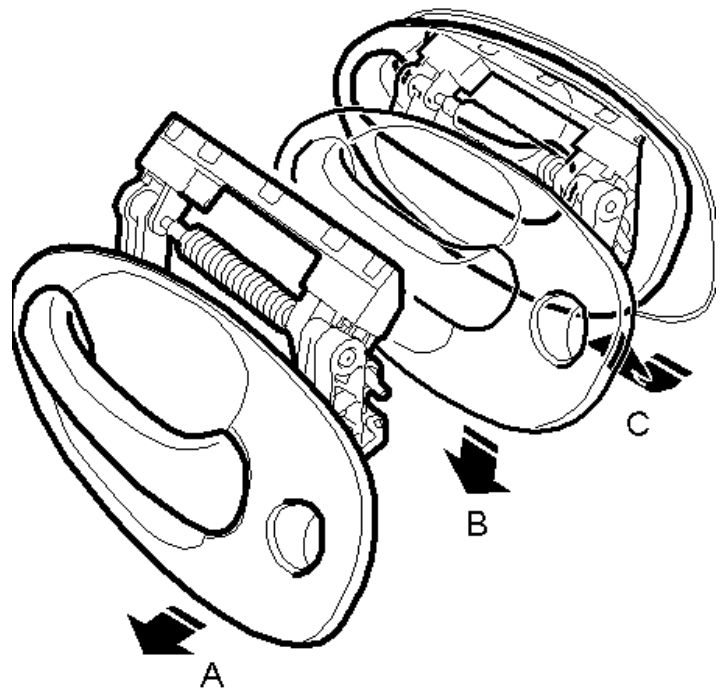


12. Lift out the handle by:

12.A. Pull out the lower edge of the handle so that the studs release.

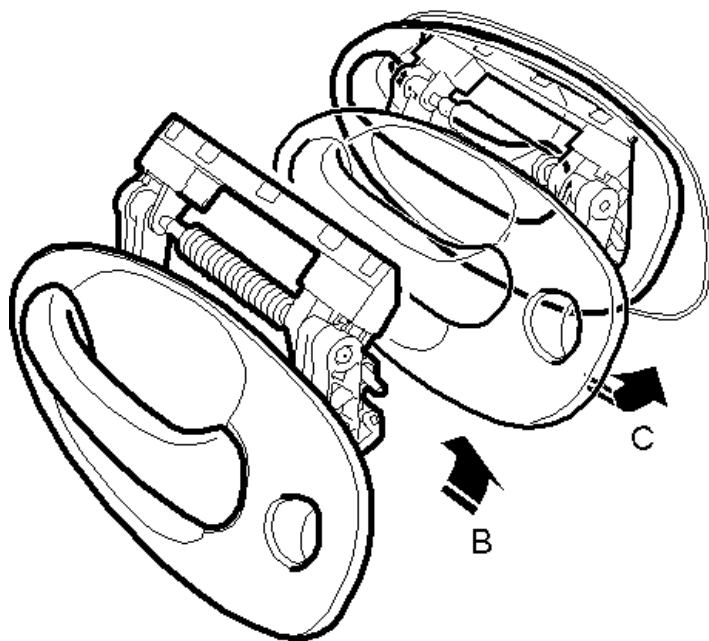
12.B. Pull downwards to get out the handle's counterweight.

 12.C. Now lift upwards to get the handle's rod out through the hole.

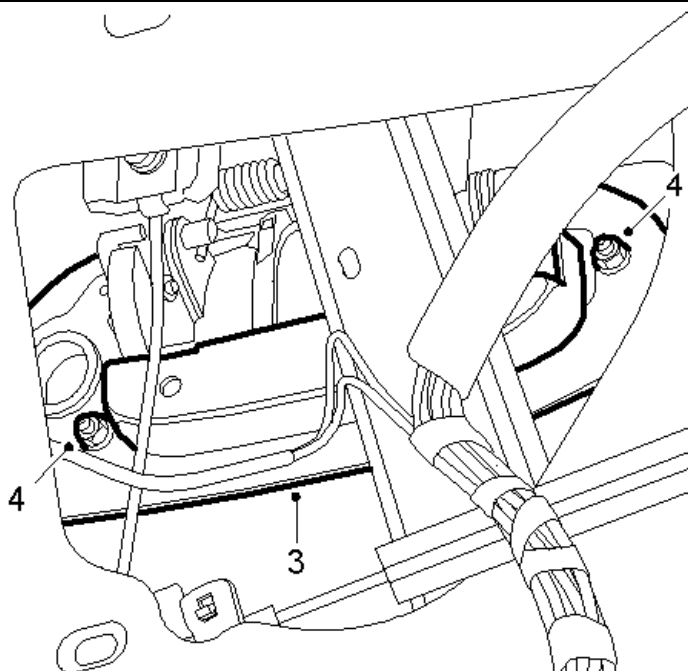


Fitting

1. Check the handle's gasket so that it is in one piece and located correctly.
2. Fit the handle by:
 - 2.A. Insert the handle's rod in the door.
 - 2.B. Angle in the handle's counterweight.
 - 2.C. Angle in the handle's lower edge and insert the studs in the holes.



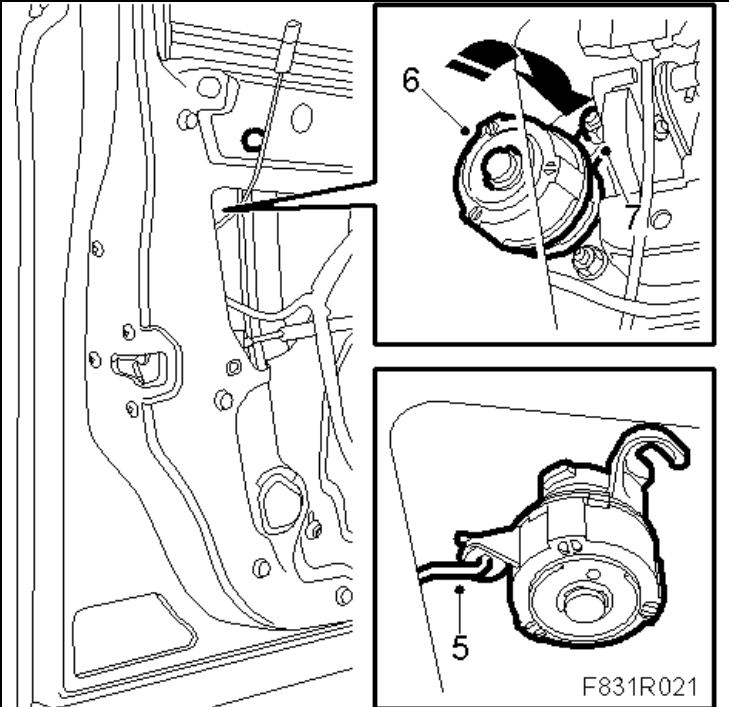
3. Fit the reinforcement plate.
4. Fit the front and lower, rear nuts.



F831R020

7. Fit the front and lower, rear nuts.

5. Hook the lock cylinder on the rod.
6. Fit the lock cylinder by pushing the lock cylinder and turning it clockwise.
7. Fit the upper rear nut on the handle and lock cylinder.



8. Place the guard in the door. Make sure the handle's rod comes in front of the guard. Lift up the cover by the rear edge so that it is placed between the lock cylinder and the window's U-strip
 9. Fit the guard's screws.
 10. Fit the rod in the clip. Lift in the clip and hold down the rod at the same time as you fit the lock cover to eliminate play.
 11. Check the function of the handle and lock.
- Cars with pinch protection:** [Activating the pinch protection.](#)
12. Fit the moisture barrier and door trim.

