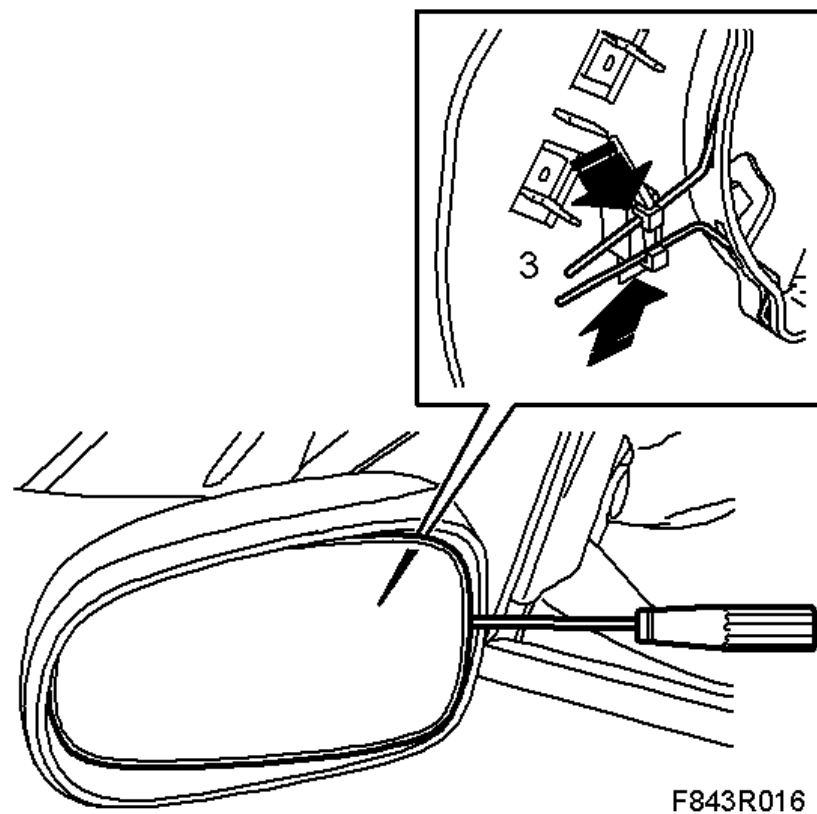


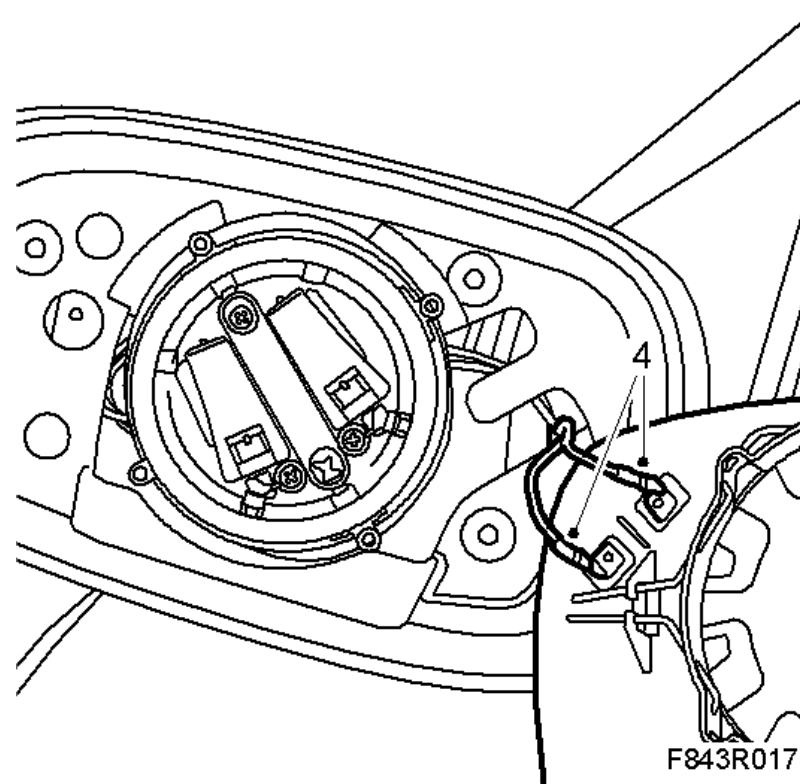
Door mirror, glass

To remove

1. Fold the door mirror forward.
2. Angle out the glass.
3. Unhook the spring clip using a screwdriver.
4. Unplug the connector and lift away the mirror.

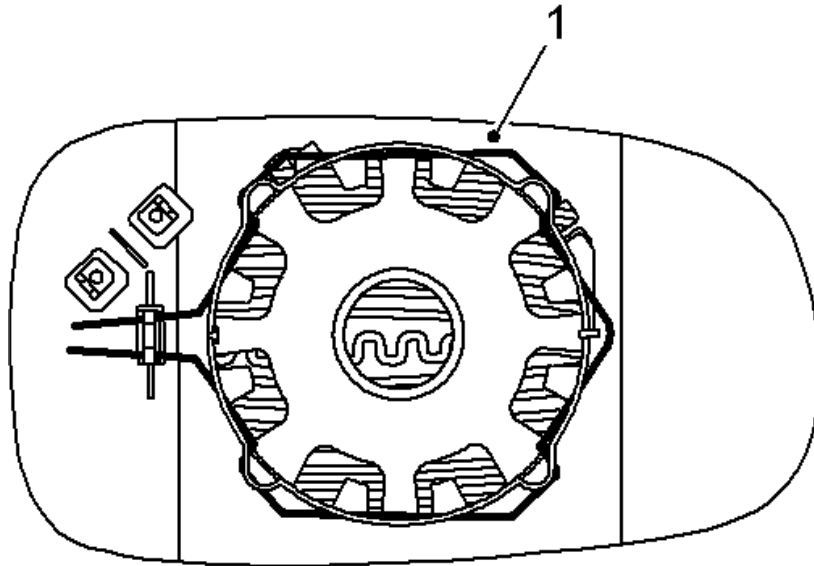


4. Unplug the connector and lift away the mirror.

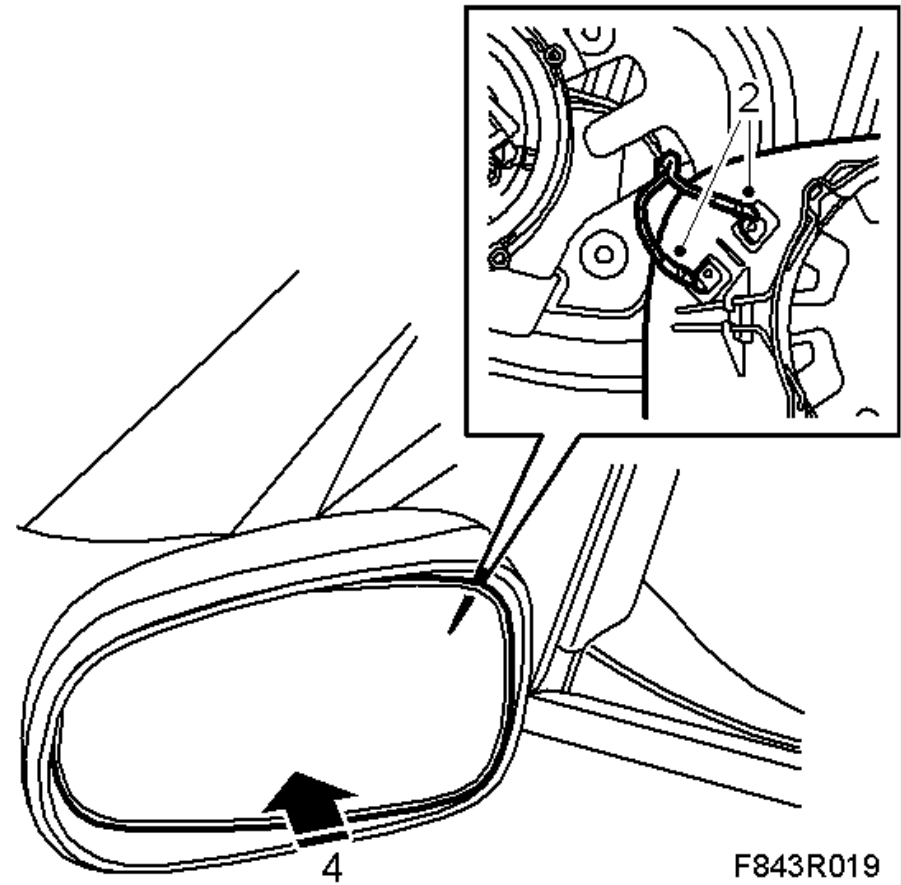


To fit

1. Make sure the spring clips are correctly positioned.



2. Plug in wires to the heating element.
3. Fit the glass to the motor.
4. Carefully press in the glass until you hear a click.
5. Fold back the door mirror.
6. Check the function of the door mirror.



F843R019