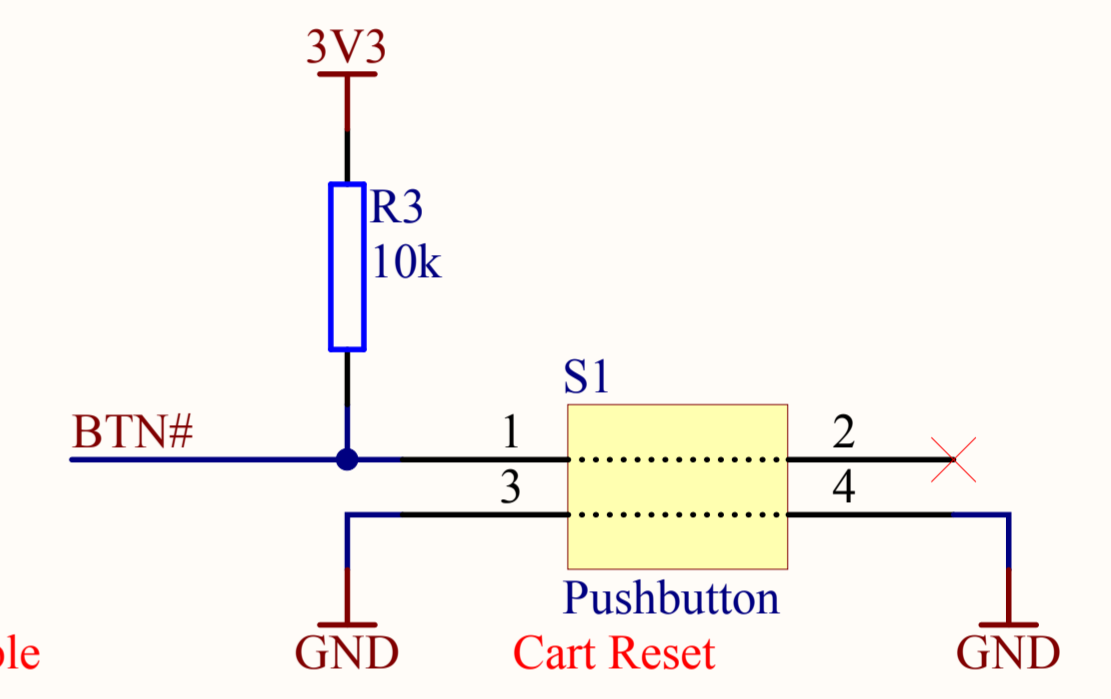
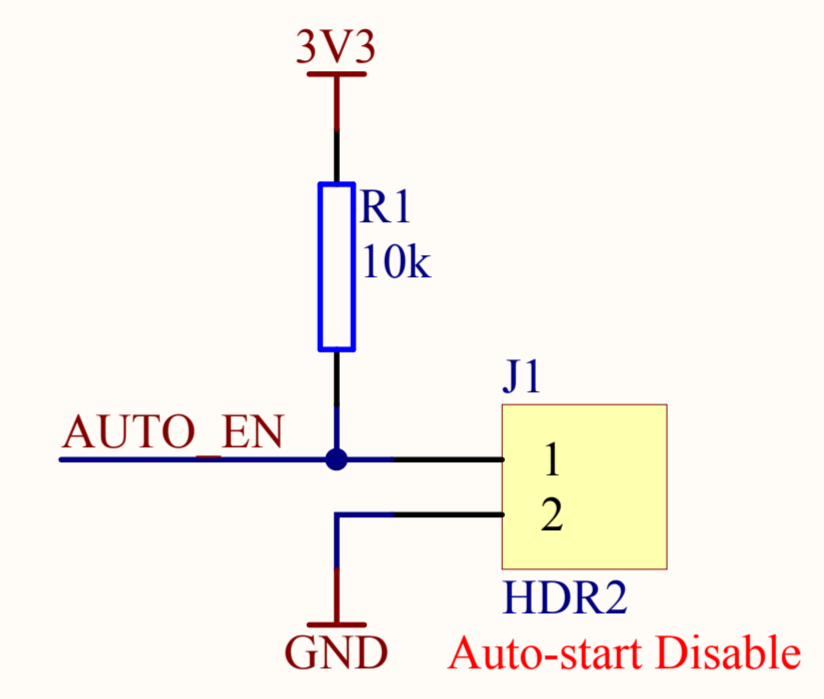
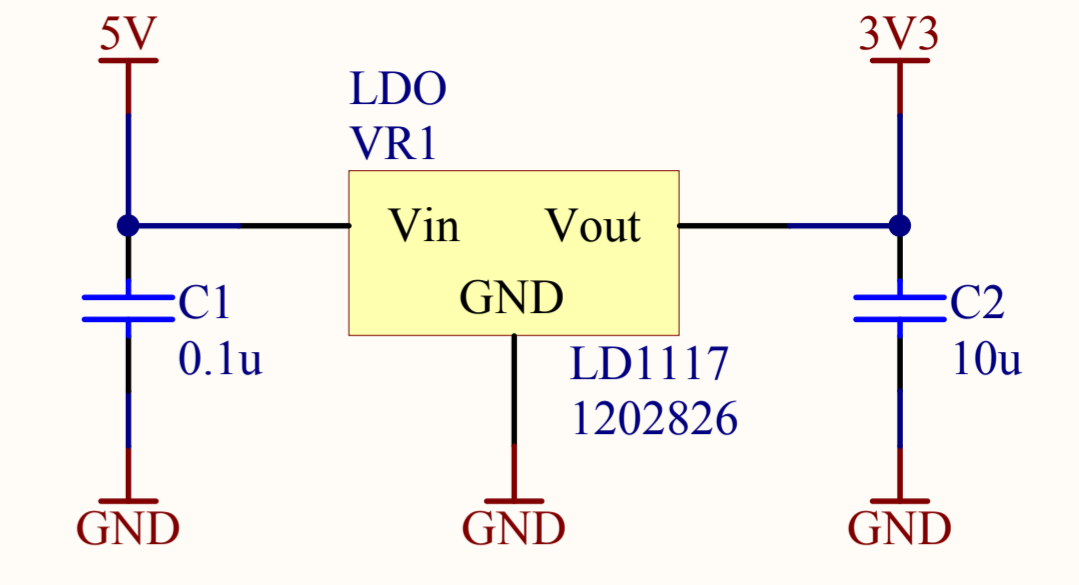
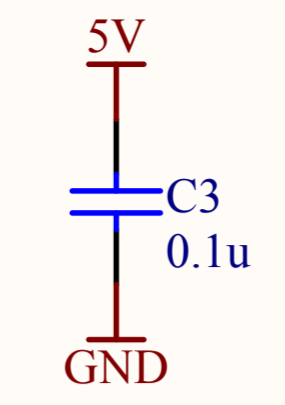
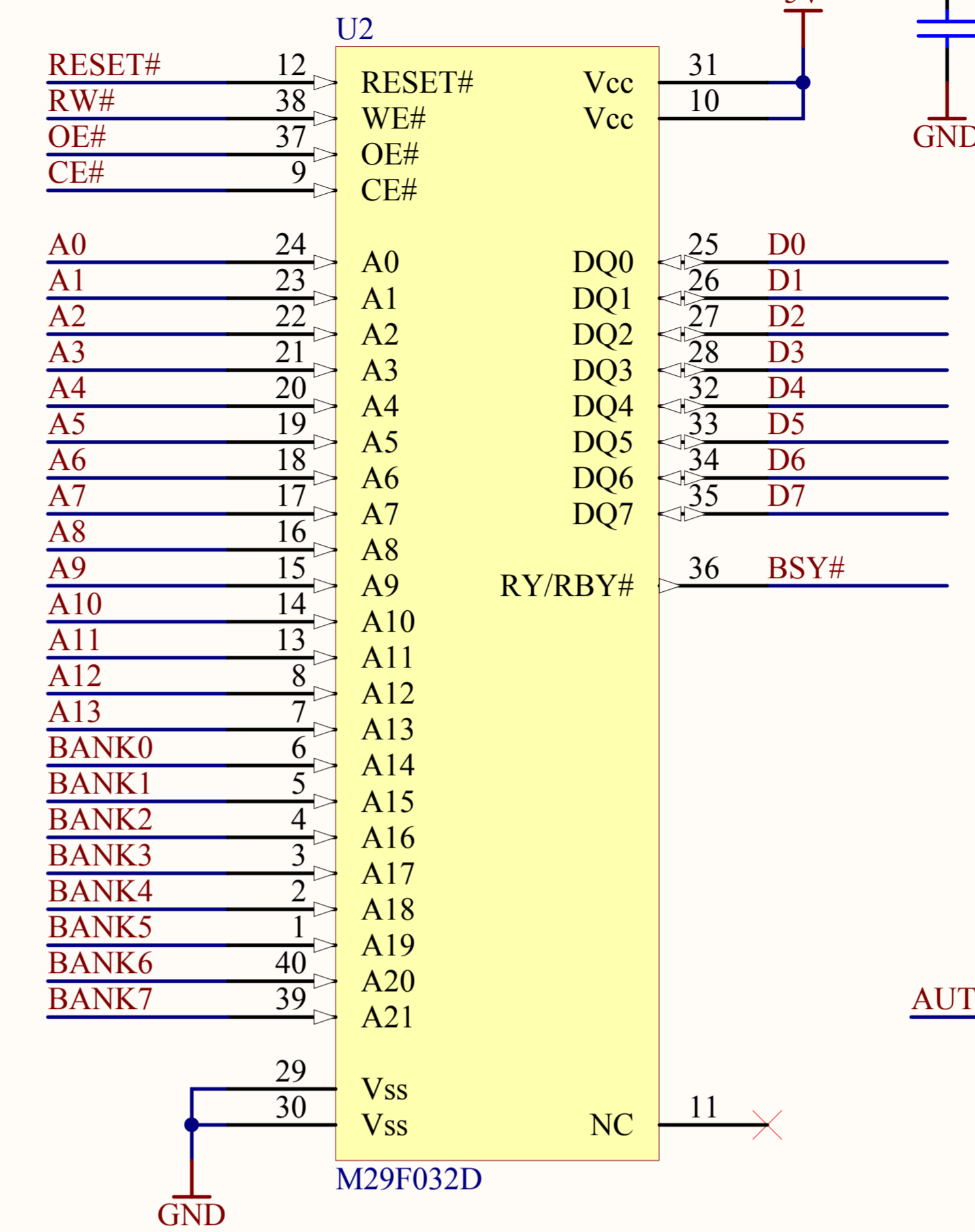
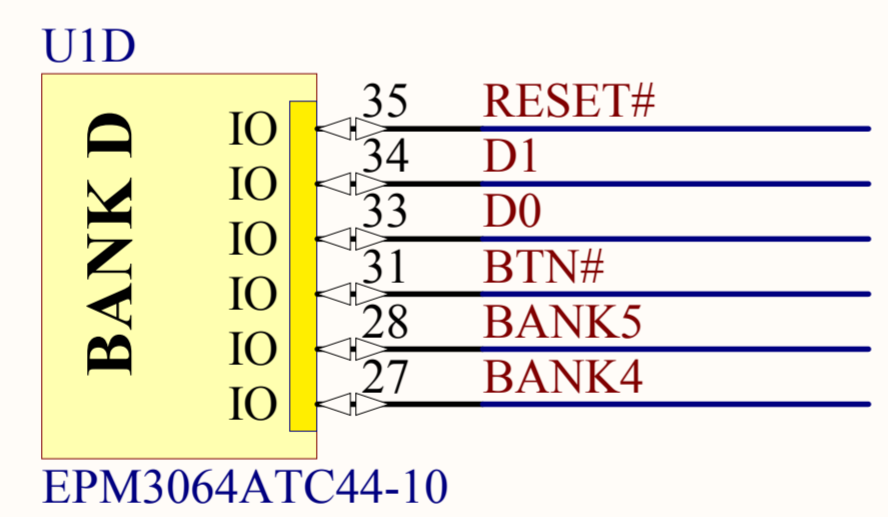
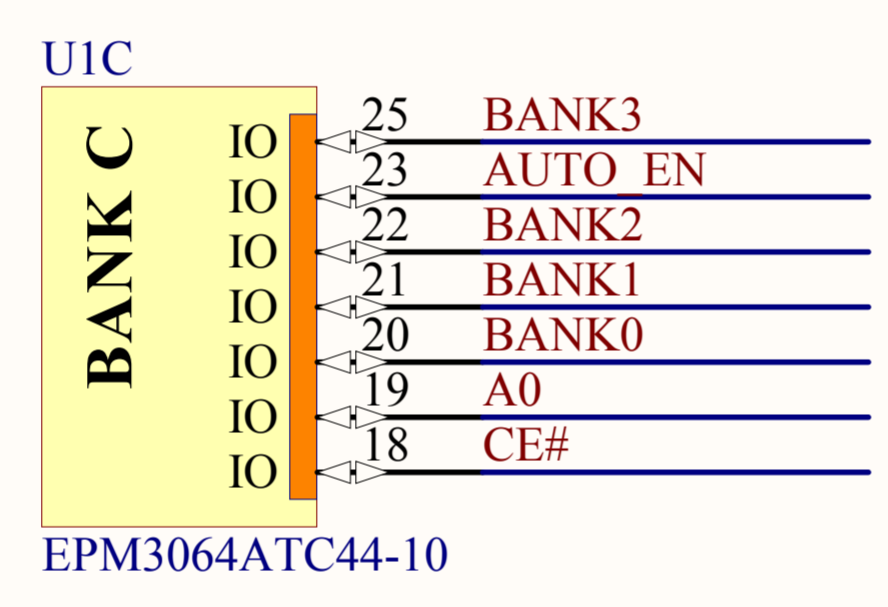
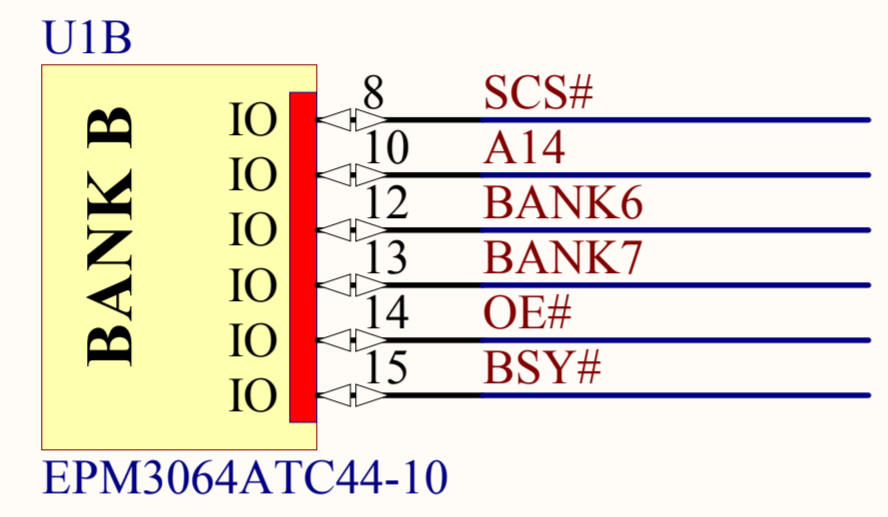
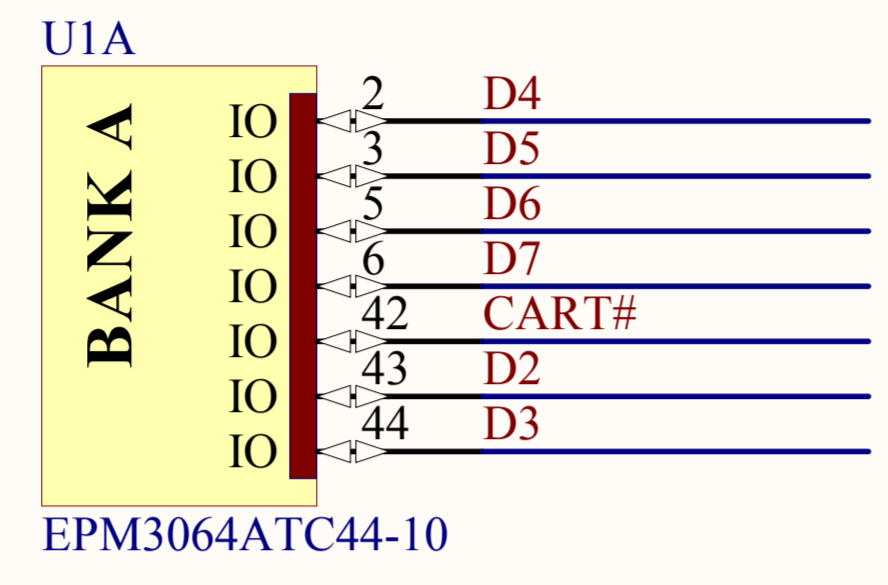
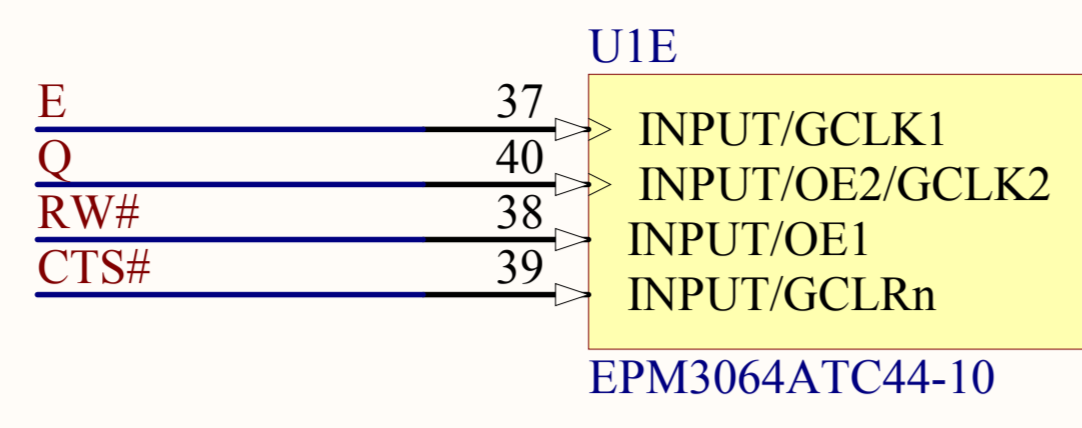
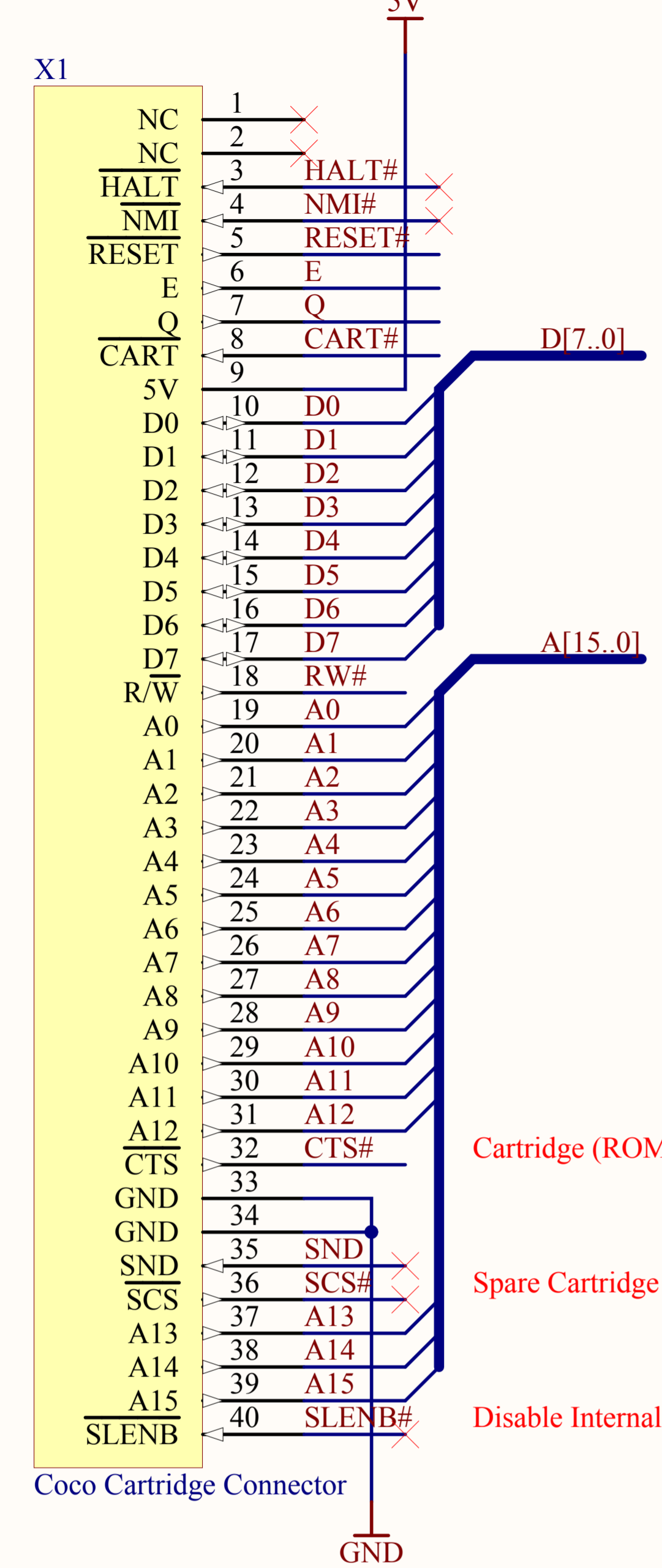
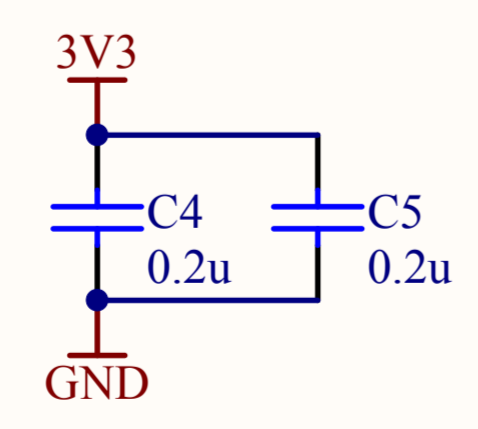
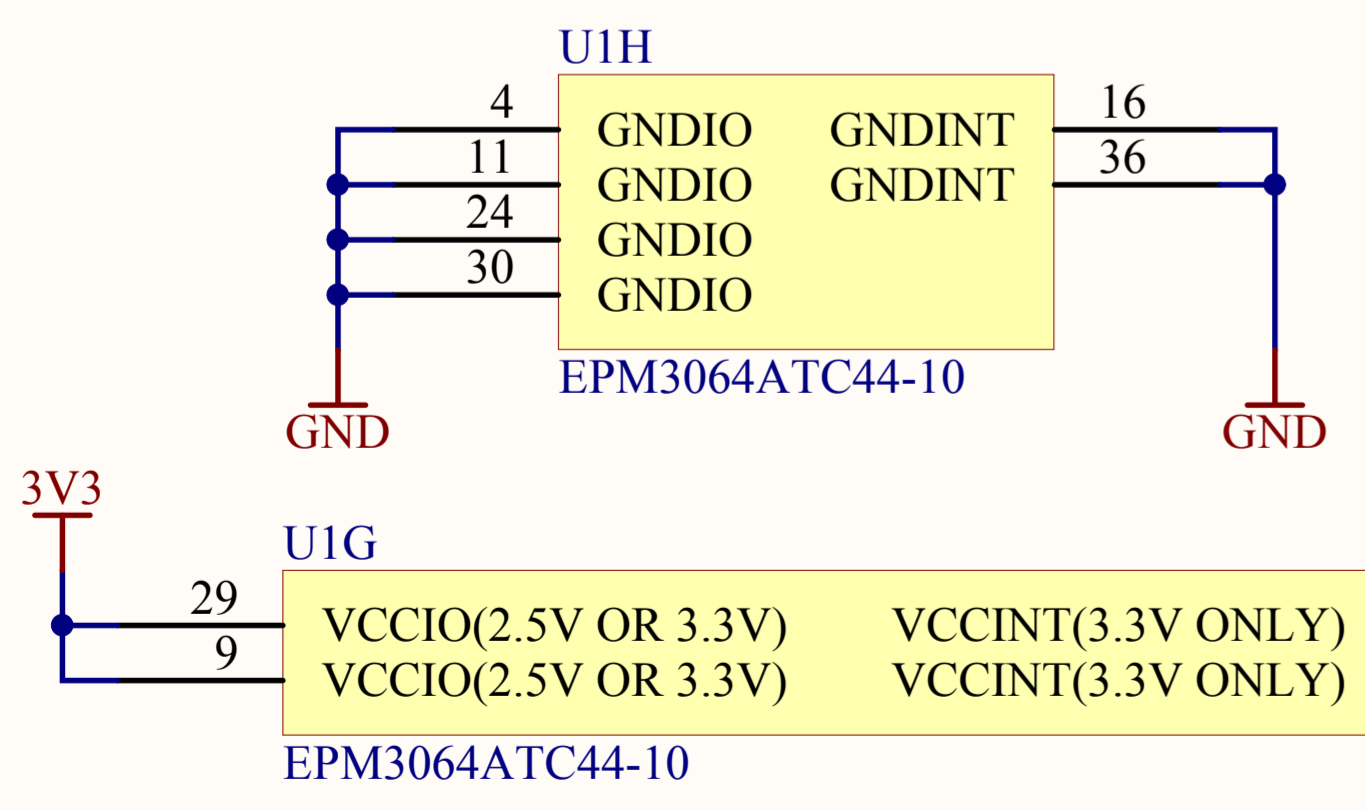
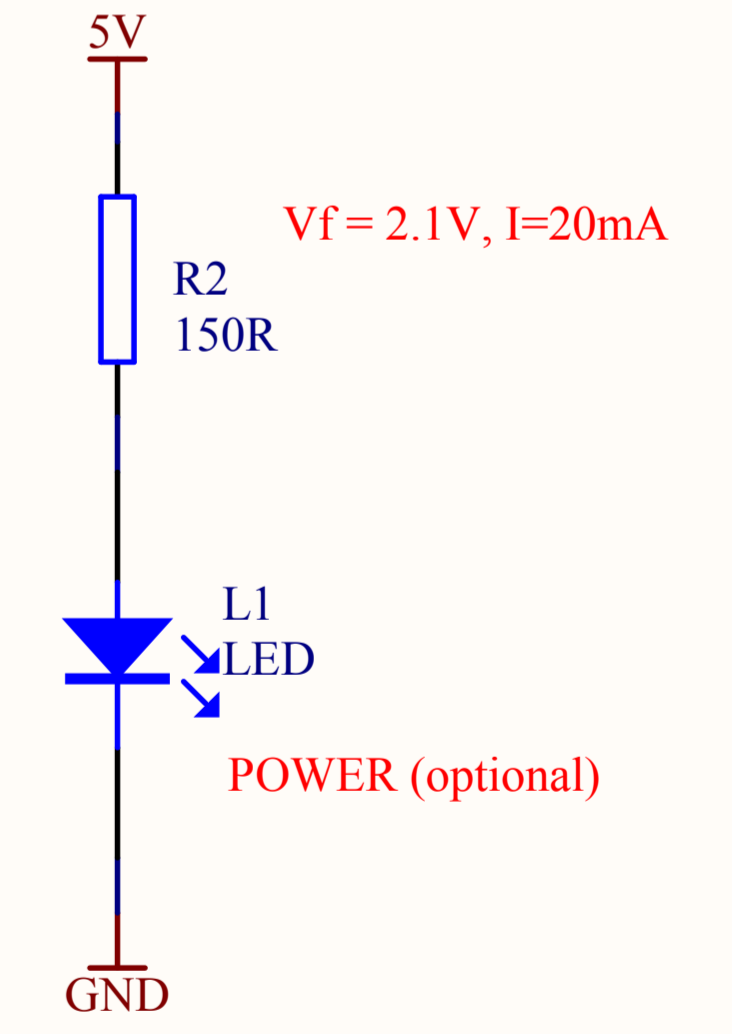
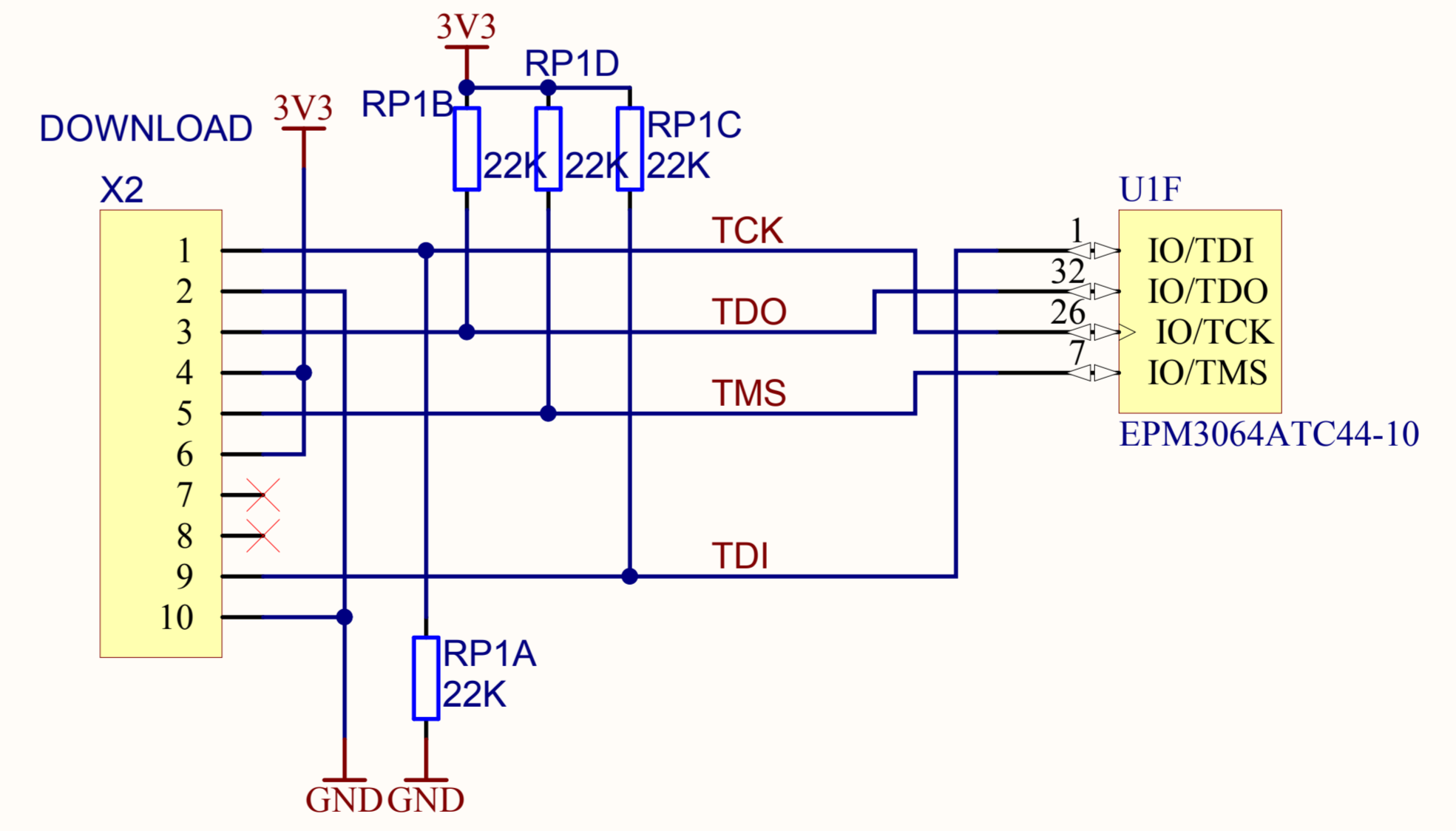


+5VDC can supply 300mA from connector



M29F080(1MB) / M29F016(2MB) / M29F032(4MB)



Title			<b>Coco Flash Cartridge Version 2</b>		
Size	Number		Revision		<b>1.1</b>
A4					
Date:	29/01/2008		Sheet of		
File:	C:\markm\.\coco-flash2.SchDoc		Drawn By:		